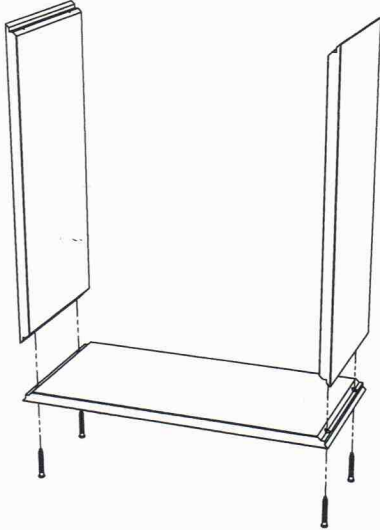
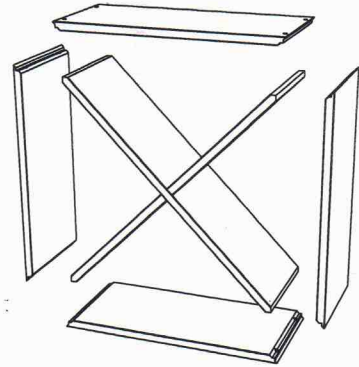


CELLAR CUBE ASSEMBLY

- PARTS:**
1. 2 Side Pieces (510 mm)
 2. 2 Top/Bottom pieces (510 mm)
 3. 2 Interlocking Pieces (670 mm)
 4. 8 Screws for 228 mm depth Cube
 5. 12 Screws for 300 mm depth Cube
 6. 1 Allen Key 4 mm

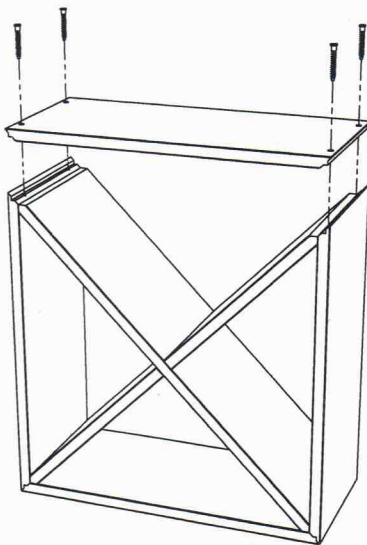
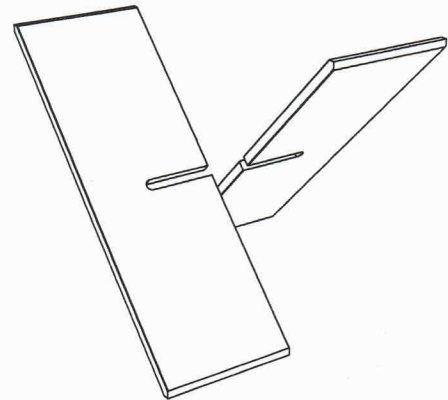


STEP 1

Assemble 3 parts of cube using one top/bottom piece and both side pieces, with screws provided, creating a 'U' shape.

STEP 2

Slide interlocking pieces together and place into constructed 'U' shape.



STEP 3

Position and fix final top/bottom piece thus creating your cube.

The finished cube can be self standing or fixed to the wall for added stability. If stacking cube on cube or side by side, fixing to the wall and to each other is definitely recommended.